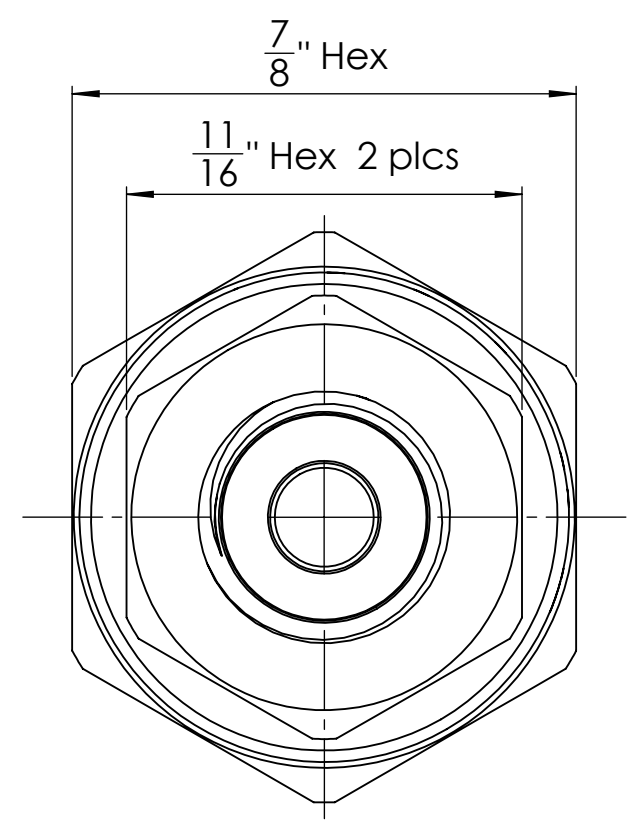
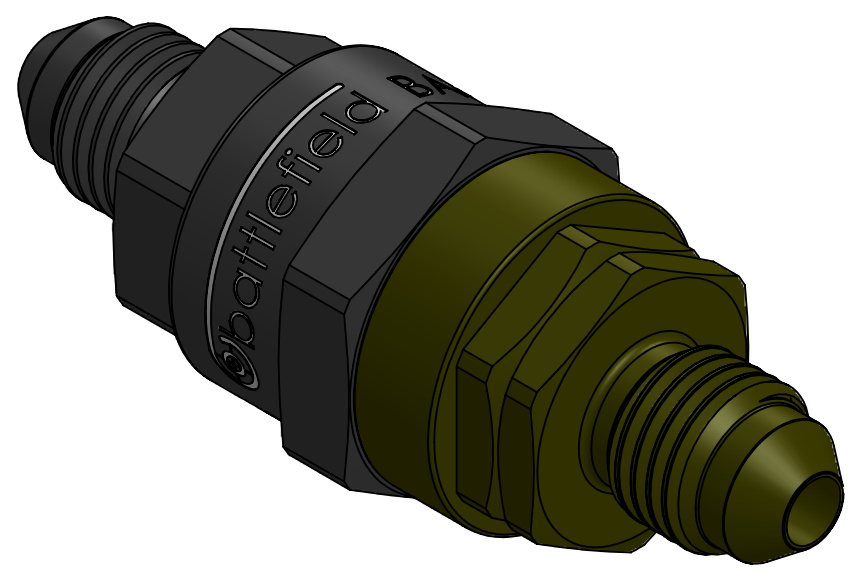
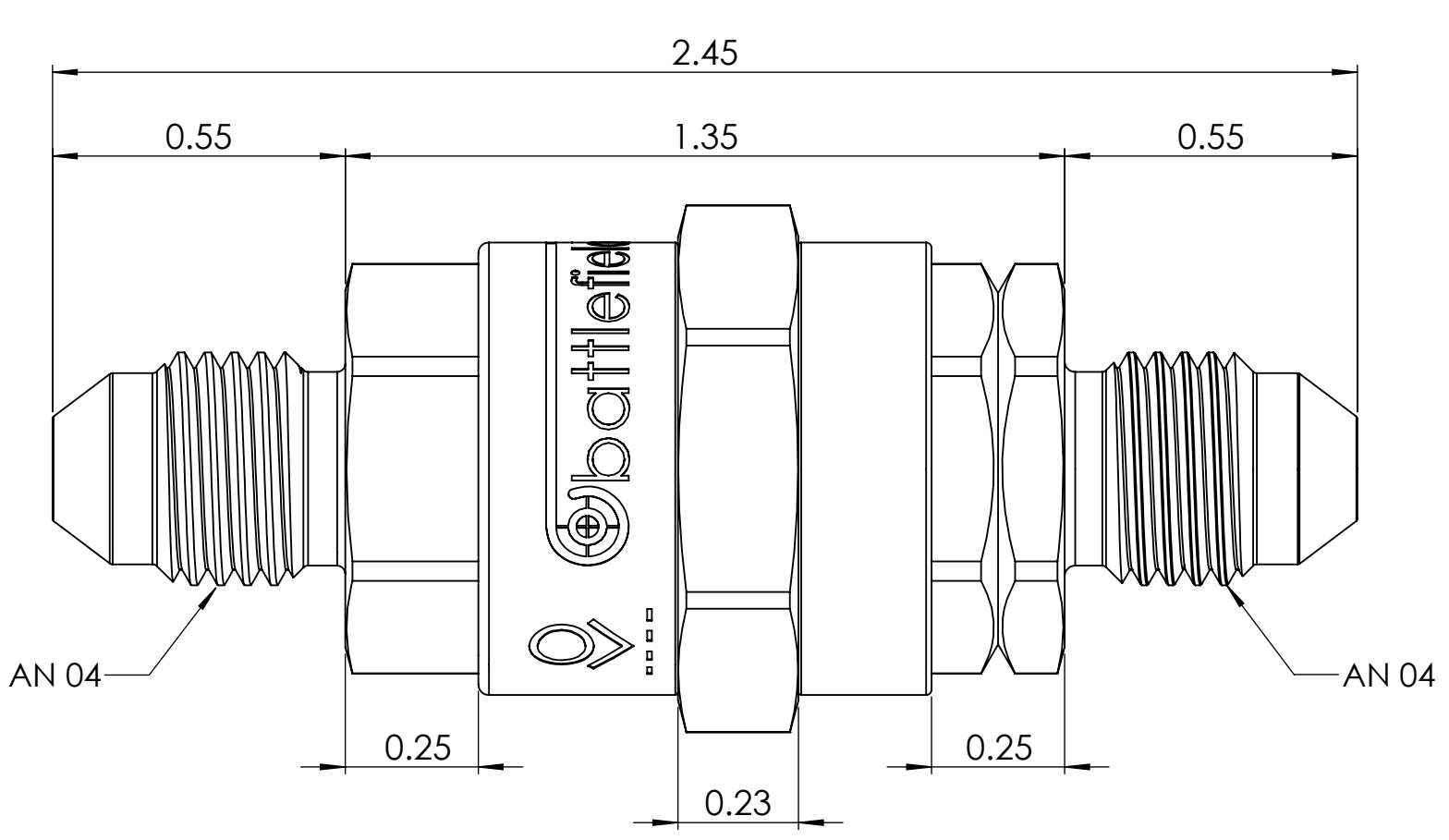


8 7 6 5 4 3 2 1

D  
C  
B  
A



1664 KOHLER ROAD  
CAYUGA, ONTARIO CANADA N0A 1E0  
www.battlefield.biz

Cage Code  
**L0078**

**PROPRIETARY AND CONFIDENTIAL**

THE INFORMATION CONTAINED IN THIS DRAWING IS THE SOLE PROPERTY OF BATTLEFIELD INTERNATIONAL INC. ANY REPRODUCTION IN PART OR AS A WHOLE WITHOUT THE WRITTEN PERMISSION OF BATTLEFIELD INTERNATIONAL INC. IS PROHIBITED.

UNLESS OTHERWISE SPECIFIED:  
DIMENSIONS ARE IN INCHES  
TOLERANCES:  
FRACTIONAL ±  
ANGULAR: MACH ±  
TWO PLACE DECIMAL ±  
THREE PLACE DECIMAL ±  
INTERPRET GEOMETRIC TOLERANCING PER:  
MATERIAL  
FINISH  
DO NOT SCALE DRAWING

	NAME	DATE
DRAWN	J.K	4/18/13
CHECKED	X	X
Q.A.	X	X

TITLE: <b>AN04 Multi-Fuel Check Valve</b>		
PART NO: <b>BA4A7A</b>		
ORDER NO: <b>-</b>		
SIZE <b>B</b>	DWG. NO. <b>X</b>	REV <b>-</b>
Scale:3:1	WEIGHT:	SHEET 1 OF 1

8 7 6 5 4 3 2 1