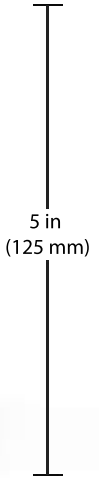
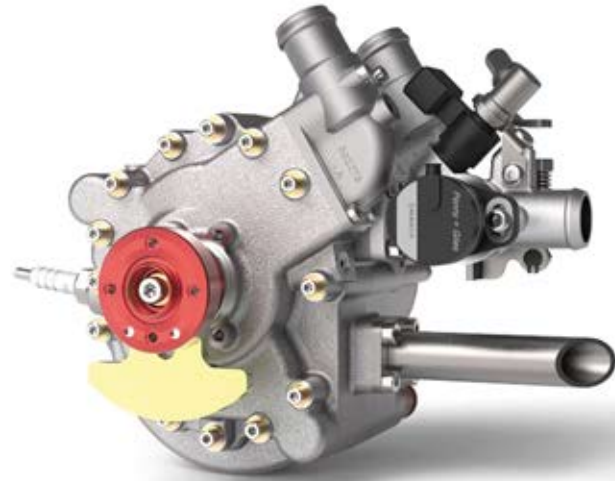


Key Benefits

- Clean
- Multi-fuel
- Compactness
- Low vibration
- Long endurance
- Few moving parts
- High power-to-weight
- Low total cost of ownership
- Revolutionary cooling system

Wankel Rotary Engine 40S 5BHP



Cooling System Liquid-Cooled Patented SPARCS*	Engine Power Output 5 bhp (3.7 kW)	Time Between Overhaul 500+ hrs	Engine Core Weight 4.4 lb (2 kg)	Fuel Type AVGAS / Gasoline Heavy Fuels

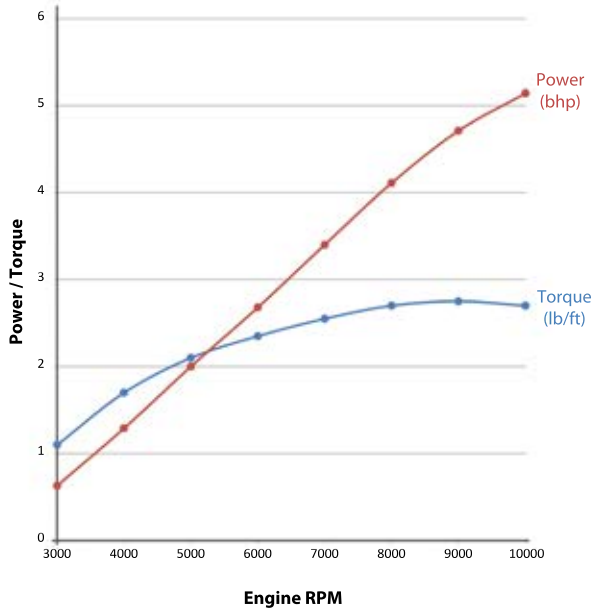
Applications			
	<ul style="list-style-type: none">■ Small Vehicles & UGVs■ Range Extenders	<ul style="list-style-type: none">■ Small-Medium UAVs■ Auxiliary Power Units	<ul style="list-style-type: none">■ Unmanned Surface Vehicles■ Hybrid Watercraft

Specification

Wankel Rotary Engine

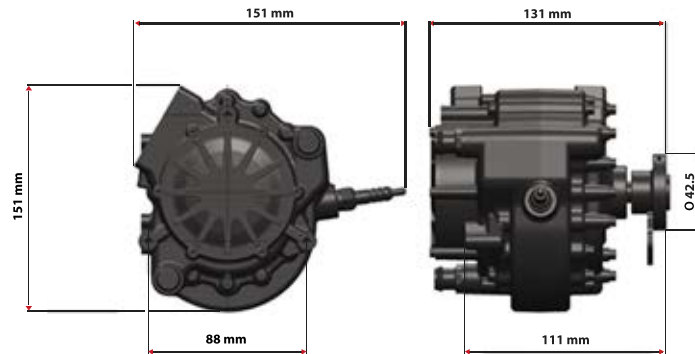
40S 5BHP

Power / Torque vs. RPM @ WOT for 40S



Engine Type	Single Rotor
Power Output	5 bhp (3.7 kW)
Weight	4.4 lb (2 kg) Core Weight
Displacement	2.4 cu in (40cc)
Torque	2.75 lb/ft @ 8000 rpm
Compression	9.6:1
Fuel Type	AVGAS / Gasoline / Heavy Fuels
Cooling System	Liquid-Cooled Patented SPARCS*
Ignition System	Single Spark Plug
Engine Control System	Full Electronic Engine Management
Oil System	Digitally Optimised Lubrication
Configuration	Pusher / Tractor
Options	Generator / Reduction Drive

*Self-Pressurising-Air Rotor Cooling System



AIE Advanced Innovative Engineering

Unit 2, Ringway Industrial Estate, Eastern Avenue, Lichfield, WS13 7SF, United Kingdom
 T: +44 1543 420700 F: +44 1543 420709 mail@aieuk.com www.aieuk.com